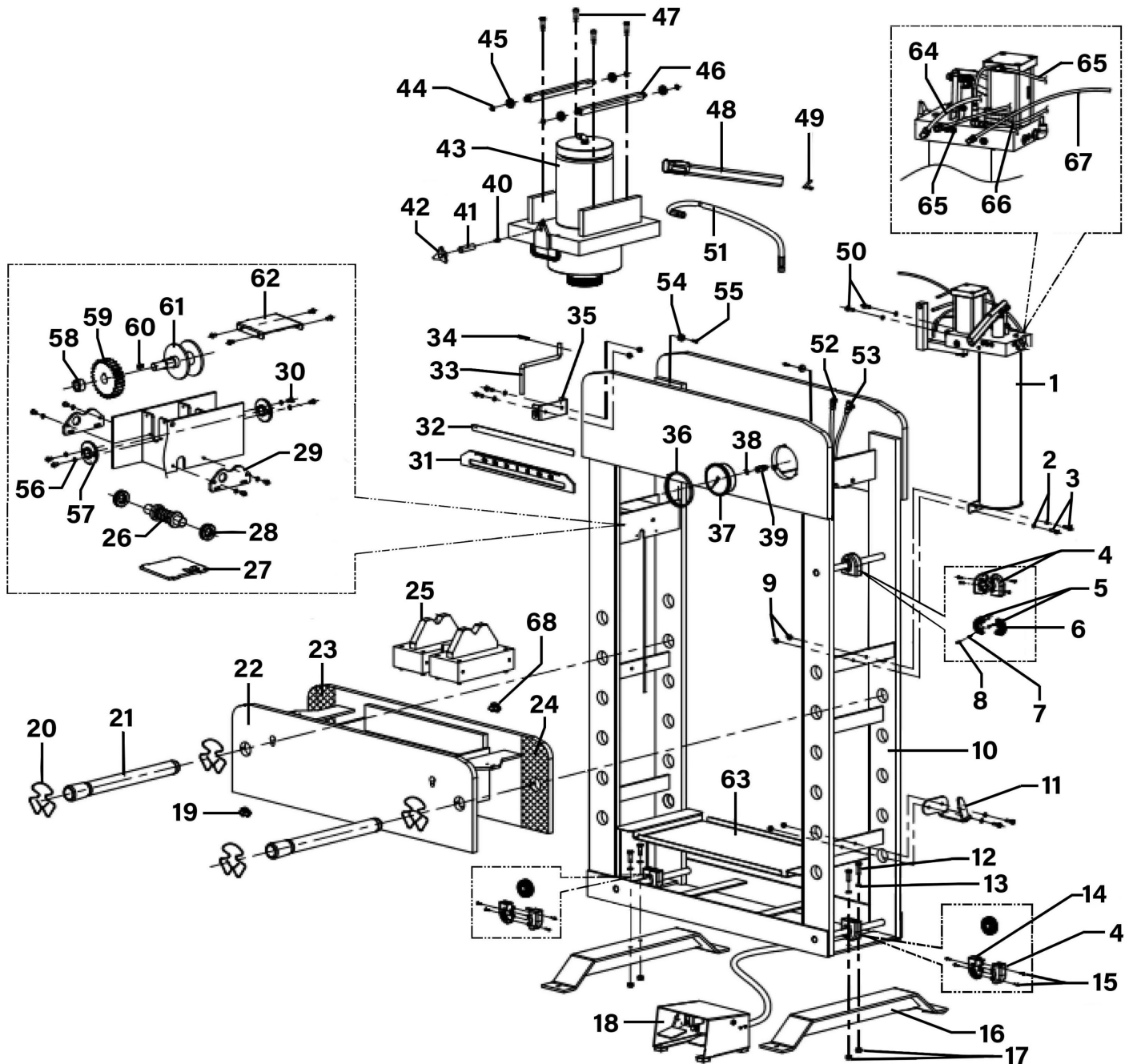


Parts Information: Viking Floor Type Air/Hydraulic Press with Sliding Ram & Foot Pedal 100 Tonne Model No: PPF100S



Item	Part No.	Description
1	FUSN-ZG0008	Oil Pump Assembly
2	SWM8.S	Spring Washer M8
3	SS825.S	Hex Head Set Screw M8 x 25mm Zinc
4	FUSN-L06115	Pulley Protection Cover Assembly (A)
5	FUSN-L0190042	Pulley

Item	Part No.	Description
6	FUSN-L03020018	Thin Nut M3
7	SWM3.S	Spring Washer M3 Zinc
8	SCB316.SB	Socket Cap Bolt M3 x 16mm Black
9	SN8.S	Steel Nut M8 Zinc
10	FUSN-ZE0012	Frame Assembly

NOTE: It is our policy to continually improve products and as such we reserve the right to alter data, specifications and component parts without prior notice. There may be alternative versions of this product, please contact us should you require this information.

IMPORTANT: No liability is accepted for incorrect use of product. Spare parts must be fitted by a competent person

WARRANTY: Guarantee is 12 months from purchase date, proof of which will be required for any claim.



Parts Information:
**Viking Floor Type Air/Hydraulic Press with
 Sliding Ram & Foot Pedal 100 Tonne
 Model No: PPF100S**

Item	Part No.	Description
11	FUSN-L0190274	Handle Support Plate
12	SS1035.S	Hex Head Set Screw M10 x 35mm Zinc
13	SWM10.S	Spring Washer M10 Zinc
14	FUSN-L06116	Pulley Protection Cover (B)
15	FUSN-L03010009	Protection Cover Screw M4 x 12mm
16	FUSN-ZE2010	Foot Assembly
17	SN10.S	Steel Nut M10 Zinc
18	FUSN-L0190263	Foot Pedal Assembly
19	FUSN-L20085	Wire Rope Cable Lock
20	FUSN-L06131	Frame Pin Ring
21	FUSN-L0190269	Bed Frame Pin
22	FUSN-ZE1009	Bed Frame Assembly
23	FUSN-L20144	Bed Frame Protection Plate (Right)
24	FUSN-L20145	Bed Frame Protection Plate (Left)
25	FUSN-ZE4004	V-Block Assembly
26	FUSN-L20142	Shaft Wheel Ø35 x 123mm
27	FUSN-L07Y271	Winch Base Plate
28	FUSN-L20143	Bearing 51104
29	FUSN-L07Y270	Plate
30	SCB612.SB	Socket Cap Bolt M6 x 12mm Black
31	FUSN-L06132	Scale Plate
32	FUSN-L07Y274	Scale Plate Support
33	FUSN-L0190068	Winch Handle
34	FUSN-L03100022	Pin for Winch Handle
35	FUSN-L07Y237B	Winch Handle Bracket
36	FUSN-L06083	Gauge Protection Ring
37	FUSN-L10005	Pressure Gauge, 120T -700kg/cm ² Ø110mm Rear Fixing
38	FUSN-L02020029	Seal for Pressure Gauge, white Plastic (Ø5.7 x 8 x 1.5mm)
39	FUSN-L09002	Pressure Gauge Connector
40	FUSN-L0190085	Handle Knob Saddle
41	FUSN-L03010091	Locking Knob Stud M12 x 35mm

Item	Part No.	Description
42	FUSN-L03010086	Locking Knob
43	FUSN-ZF0015	Ram Cylinder Assembly
44	FUSN-L05100005	External Circlip
45	B/6001ZZ	Bearing 6001ZZ
46	FUSN-L0190271	Connecting Rod
47	FUSN-L03010092	Shoulder Screw (Ø10 x 35 x M8)
48	FUSN-L0190058	Handle Assembly
49	FUSN-L03100015	V-Spring
50	SCB820.SB	Socket Cap Bolt M8 x 20mm Black
51	FUSN-L20141	Oil Hose Assembly
52	FUSN-L04002	Y-Piece Connector
53	FUSN-L04059	Oil Hose Connector (B)
54	FUSN-L06133	Plastic Pin (Anti-Collision)
55	MSP410.SB	Machine Screw Pan Head Phillips M4 x 10mm Black
56	SWM6.S	Spring Washer M6 Zinc
57	FUSN-L0190283	Shaft Bearing Ø52 x 15mm
58	FUSN-L0190284	Gear Washer
59	FUSN-L20147	Gear
60	FUSN-L20148	Woodruff Key
61	FUSN-L0190256	Turning Plate Assembly
62	FUSN-L07Y240	Winch Cover Plate (Upper)
63	FUSN-L07Y273	Press Tray
64	FUSN-L20070A	PU Air Hose (Ø8 x Ø5.5 x 600mm)
65	FUSN-L20026H	PU Air Hose (Ø6 x Ø4 x 300mm)
66	FUSN-L20026I	PU Air Hose (Ø6 x Ø4 x 600mm)
67	FUSN-L20026K	PU Air Hose (Ø6 x Ø4 x 1150mm)
68	FUSN-L20146	Lock Catch for Wire Rope Cable
--	FUSN-L06134	Bed Frame Pin Rubber Sleeve (Not Shown)
--	FUSN-L06072	Handle Grip (Not Shown)
--	FUSN-L20091	Wire Rope Cable Ø4 x 5500mm (Not Shown)
--	PPF100S-WRK	Wire Rope Kit (Not Shown)

NOTE: It is our policy to continually improve products and as such we reserve the right to alter data, specifications and component parts without prior notice. There may be alternative versions of this product, please contact us should you require this information.

IMPORTANT: No liability is accepted for incorrect use of product. Spare parts must be fitted by a competent person

WARRANTY: Guarantee is 12 months from purchase date, proof of which will be required for any claim.

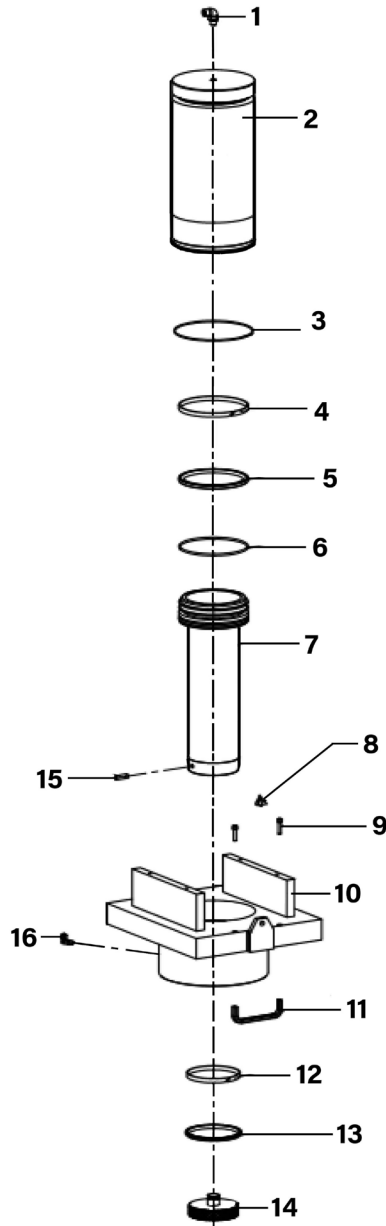
Jack Sealey Ltd t/a Sealey Group, Kempson Way, Suffolk Business Park, Bury St Edmunds, Suffolk, IP32 7AR UK

Jack Sealey (EU) Ltd t/a Sealey Group, Farney Street, Carrickmacross, Co. Monaghan, A81 PK68 Ireland

Tel: 01284 757500 · Email: sales@sealey.co.uk · Web: www.sealey.co.uk



Parts Information:
Viking Floor Type Air/Hydraulic Press with Sliding Ram & Foot Pedal 100 Tonne
Model No: PPF100S



Item	Part No.	Description
1	FUSN-L09001	Oil Hose Joint Elbow
2	FUSN-L0190240	Outer Sleeve Assembly
3	FUSN-L02010013	O-Ring Ø162.5 x 2.65mm
4	FUSN-L02040017	Guide Ring
5	FUSN-L02060039	OE Seal
6	FUSN-L02010084	O-Ring (149.53 x 142.47 x 3.53mm)
7	FUSN-L0190246	Piston Assembly
8	FUSN-L06092	Pointer
9	SCB630.SB	Socket Cap Bolt M6 x 30mm Black

Item	Part No.	Description
10	FUSN-L0190243	Ram Cylinder Upper Plate
11	FUSN-L20093	Handle for Ram Cylinder Upper Plate
12	FUSN-L02040006	Guide Ring
13	FUSN-L02050001	Dust-Proof Seal
14	FUSN-L0190270	Top Cover for Saddle
15	FUSN-L03010089	Machine Screw Pan Head Phillips M10 x 25mm
16	FUSN-L04014	Elbow
--	PPF100S-RSK	Seal Kit for Ram Cylinder Assembly (Not Shown)

NOTE: It is our policy to continually improve products and as such we reserve the right to alter data, specifications and component parts without prior notice. There may be alternative versions of this product, please contact us should you require this information.

IMPORTANT: No liability is accepted for incorrect use of product. Spare parts must be fitted by a competent person

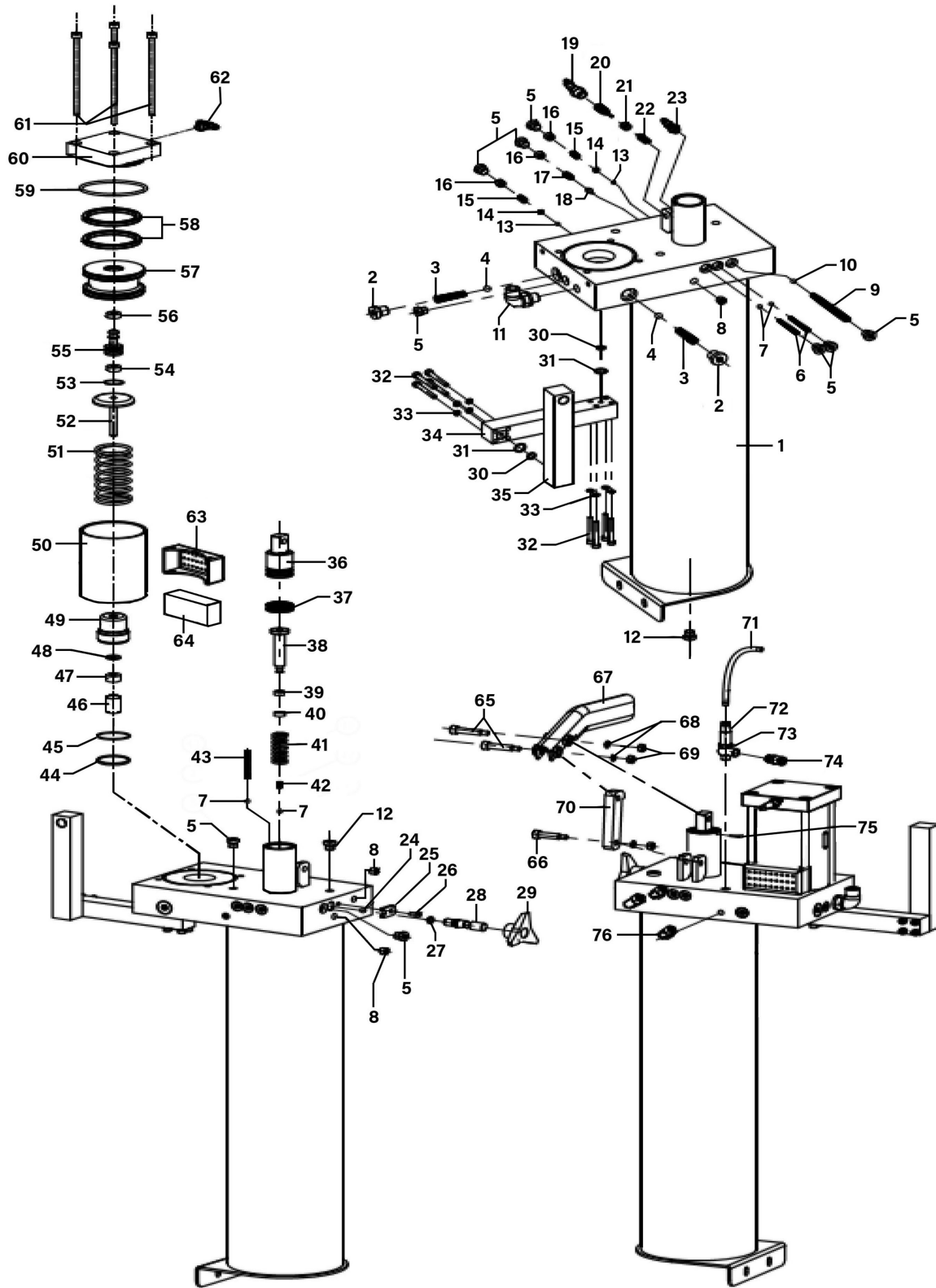
WARRANTY: Guarantee is 12 months from purchase date, proof of which will be required for any claim.

Jack Sealey Ltd t/a Sealey Group, Kempson Way, Suffolk Business Park, Bury St Edmunds, Suffolk, IP32 7AR UK

Jack Sealey (EU) Ltd t/a Sealey Group, Farney Street, Carrickmacross, Co. Monaghan, A81 PK68 Ireland

Tel: 01284 757500 · Email: sales@sealey.co.uk · Web: www.sealey.co.uk

Parts Information:
**Viking Floor Type Air/Hydraulic Press with
 Sliding Ram & Foot Pedal 100 Tonne
 Model No: PPF100S**



NOTE: It is our policy to continually improve products and as such we reserve the right to alter data, specifications and component parts without prior notice. There may be alternative versions of this product, please contact us should you require this information.

IMPORTANT: No liability is accepted for incorrect use of product. Spare parts must be fitted by a competent person

WARRANTY: Guarantee is 12 months from purchase date, proof of which will be required for any claim.

Jack Sealey Ltd t/a Sealey Group, Kempson Way, Suffolk Business Park, Bury St Edmunds, Suffolk, IP32 7AR UK

Jack Sealey (EU) Ltd t/a Sealey Group, Farney Street, Carrickmacross, Co. Monaghan, A81 PK68 Ireland

Tel: 01284 757500 · Email: sales@sealey.co.uk · Web: www.sealey.co.uk



Parts Information:
**Viking Floor Type Air/Hydraulic Press with
 Sliding Ram & Foot Pedal 100 Tonne
 Model No: PPF100S**

Item	Part No.	Description
1	FUSN-L0190248	Outer Sleeve Assembly
2	FUSN-L03010001	Oil Plug Screw (A)
3	FUSN-L05020097	Oil Plug Spring (A)
4	SB-8.7	Steel Ball 8.7mm
5	FUSN-L03010004	Oil Plug Screw (B)
6	FUSN-L05020053	Oil Plug Spring (B)
7	SB-5.5	Steel Ball 5.5mm
8	FUSN-L03010039	Oil Plug Screw (C)
9	FUSN-L05020099	Oil Plug Spring (C)
10	SB-6.4	Steel ball 6.4mm
11	FUSN-L09004	Elbow
12	FUSN-L03010003	Plug Screw
13	SB-5.0	Steel Ball 5.0mm
14	FUSN-L0180012	Steel Ball Holder
15	FUSN-L05020030	Pressure Regulating Spring
16	FUSN-L03010063	Pressure Regulating Screw
17	FUSN-L05020076	Low Pressure Regulating Screw
18	FUSN-L0190157	Valve, Cone
19	FUSN-L04017	Fitting
20	FUSN-L011J012	Discharge Bolt
21	FUSN-L02010030	O-Ring Ø6.86 x 1.78mm
22	FUSN-L05020026	Spring
23	FUSN-L04015	Fitting
24	SB-7.2	Steel Ball 7.2mm
25	FUSN-L07Y213	Pressure Release Limit Plate
26	MSP58.SB	Machine Screw Pan Head Phillips M5 x 8mm Black
27	SA57.32	O-Ring (12.29 x 8.73 x 1.78mm)
28	FUSN-L0190168	Pressure Release Lever
29	FUSN-L03010086	Locking Knob
30	GSA08.09-4	O-Ring (11.21 x 7.65 x 1.78mm)
31	FUSN-L02020002	Locking Ring (11 x 14 x 1.35mm)
32	SCB535.S	Socket Cap Screw M5 x 35mm
33	SWM5.S	Spring Washer M5 Zinc
34	FUSN-L0190254	Gauge Support Block (A)
35	FUSN-L0190255	Gauge Support Block (B)
36	FUSN-L0190165	Pump Plunger (Large)
37	FUSN-L02010064	X-Ring Seal
38	FUSN-L0190182	Pump Plunger (Small)
39	FUSN-L02020028	Locking O-ring (Ø8 x 12 x 5mm)

Item	Part No.	Description
40	FUSN-L02030013	Seal B3
41	FUSN-L05020061	Spring
42	FUSN-L05020045	Spring
43	FUSN-L05020044	Spring
44	FUSN-L02020014	Locking Ring (28 x 30.4 x 2.2mm)
45	PBJ2S-04	O-Ring (28.71 x 23.47 x 2.62mm)
46	FUSN-L011M005	Guide Sleeve
47	FUSN-L02030014	Seal B3
48	FUSN-L02020016	Locking Ring
49	FUSN-L011M008	Oil Pump Body
50	FUSN-L011J022	Air Cylinder
51	FUSN-L05020022	Spring
52	FUSN-Z17003	Plunger Rod Assembly
53	HVLP3000G.03	O-Ring (33.48 x 28.24 x 2.62mm)
54	FUSN-L02030004	Seal Z8
55	FUSN-L011J005	Piston (Small)
56	FUSN-L02100002	Rubber Cap
57	FUSN-L011J023	Air Cylinder Piston
58	FUSN-L02100014	OA Seal
59	500/9220	O-Ring (76.31 x 72.75 x 1.78mm)
60	FUSN-L011J024	Air Inlet Valve Seat
61	FUSN-L03010049	Socket Cap Bolt M8 x 145mm
62	FUSN-L04013	T- Piece
63	FUSN-L06070	Exhaust Hood Cover
64	FUSN-L20083	Foam Silencer
65	FUSN-L03010077	Shoulder Screw (Ø8 x 30 x M6)
66	FUSN-L03010078	Shoulder Screw (Ø8 x 25 x M6)
67	FUSN-L0190216	Pump Handle Assembly (B)
68	SWM6.S	Spring Washer M6 Zinc
69	SN6.S	Steel Nut M6 Zinc
70	FUSN-L07Y186	Pump Connecting Rod
71	FUSN-L20026H	PU Air Hose (Ø6 x Ø4 x 300mm)
72	FUSN-L04057	Quick Connector (A)
73	FUSN-L04056	Inductive Valve
74	FUSN-L04008	Quick Connector (B)
75	FUSN-L03100019	Cylindrical Pin
76	FUSN-L04014	Elbow
--	PPF100S-PSK	Seal Kit for Pump Assembly (Not Shown)

NOTE: It is our policy to continually improve products and as such we reserve the right to alter data, specifications and component parts without prior notice. There may be alternative versions of this product, please contact us should you require this information.

IMPORTANT: No liability is accepted for incorrect use of product. Spare parts must be fitted by a competent person

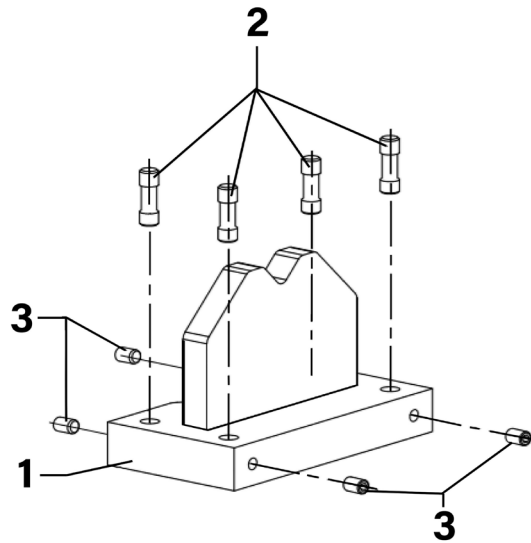
WARRANTY: Guarantee is 12 months from purchase date, proof of which will be required for any claim.

Jack Sealey Ltd t/a Sealey Group, Kempson Way, Suffolk Business Park, Bury St Edmunds, Suffolk, IP32 7AR UK

Jack Sealey (EU) Ltd t/a Sealey Group, Farney Street, Carrickmacross, Co. Monaghan, A81 PK68 Ireland

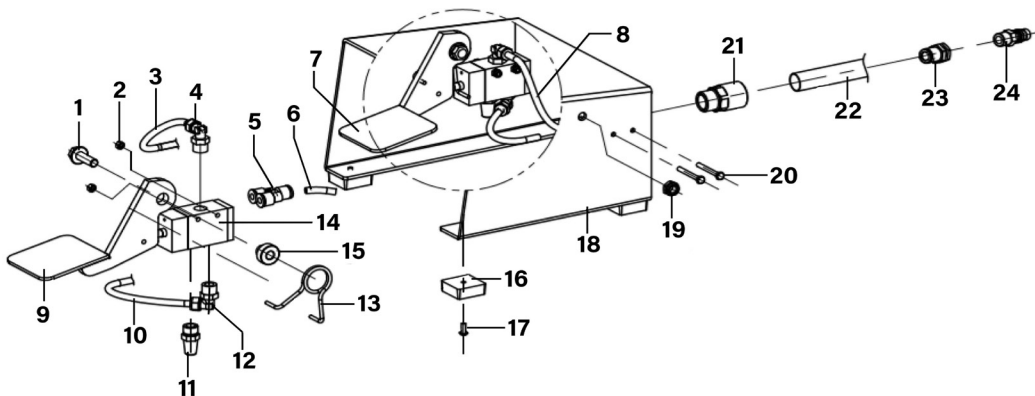
Tel: 01284 757500 · Email: sales@sealey.co.uk · Web: www.sealey.co.uk

Parts Information: Viking Floor Type Air/Hydraulic Press with Sliding Ram & Foot Pedal 100 Tonne Model No: PPF100S



Item	Part No.	Description
1	FUSN-L0190266	V-Block
2	FUSN-L0190268	Spacer Pin for V-Block

Item	Part No.	Description
3	GSM812.S	Grub Screw M8 x 12mm



Item	Part No.	Description
1	SFS820.S	Hex Head Flange Bolt M8 x 20mm Zinc
2	NLN4.S	Nyloc Nut M4 Zinc
3	FUSN-L20070B	PU Air Hose (Ø8 x Ø5.5 x 3000mm)
4	FUSN-L04015	Fitting
5	FUSN-L04002	Y-Piece Connector
6	FUSN-L20026J	PU Air Hose (Ø6 x Ø4 x 1000mm)
7	FUSN-L0190264	Left Pedal Assembly
8	FUSN-L20026L	PU Air Hose (Ø6 x Ø4 x 3000mm)
9	FUSN-L0190265	Right Pedal Assembly
10	FUSN-L20026G	PU Air Hose (Ø6 x Ø4 x 100mm)
11	FUSN-L20019	Silencer
12	FUSN-L04014	Elbow
13	FUSN-L05020098	Tension Spring

Item	Part No.	Description
14	FUSN-L04055	Valve Block (Three-Way)
15	FUSN-L0180250	Unlock Sleeve
16	FUSN-L06130	Rubber Foot
17	MSP410.SB	Machine Screw Pan Head Phillips M4 x 10mm Black
18	FUSN-L07Y264	Foot Pedal Cover Assembly
19	NLN8.S	Nyloc Nut M8 Zinc
20	FUSN-L03010124	Machine Screw Pan Head Phillips M4 x 35mm
21	FUSN-L20140	Corrugated Hose Connector
22	FUSN-L20139	Corrugated Hose
23	FUSN-L04048	Quick Union
24	FUSN-L04033	Air Inlet Connector (Euro)

NOTE: It is our policy to continually improve products and as such we reserve the right to alter data, specifications and component parts without prior notice. There may be alternative versions of this product, please contact us should you require this information.

IMPORTANT: No liability is accepted for incorrect use of product. Spare parts must be fitted by a competent person

WARRANTY: Guarantee is 12 months from purchase date, proof of which will be required for any claim.